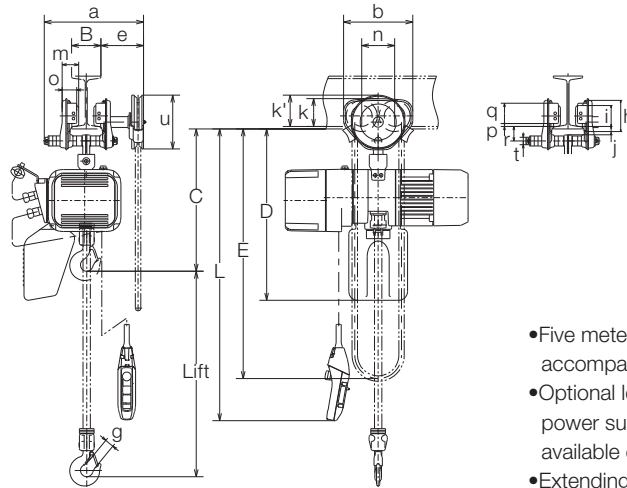


ER2SG Dual Speed inverter

With Geared Trolley



- Five meters of power supply cable as standard accompanies.
- Optional length of lift, push button cord and power supply cable besides standard is available on your request.
- Extending the load chain is prohibited with additional links.
- Steel chain containers are available as option as shown in Section of "Chain Containers" if your lift is more than capacity of the standard container volume.

Specifications

Capacity (t)	Product Code	ER2										TSG				Test Load (t)	Net Weight (kg)	Additional Weight per 1m Lift (kg)		
		Hoist Body	Standard Lift (m)	Push Button Cord L (m)	Lifting Motor		Lifting Speed (m/min)*		Load Chain		Classification ISO/FEM /ASME	Folded Hand Chain Length E (m)	Flange Width B (mm)						Min. Radius Curve (mm)	
					Output (kW)	Rating (%ED)	50/60Hz		Diameter (mm)	Chain Falls			Standard	Option						
							High	Low						W20 (203mm)	W30 (305mm)					
125kg	ER2SG001IH	B			0.56		Preset	16.6	2.8	4.3 x 1								156kg	40	1.4
250kg	ER2SG003IS						Adjustable	10.8	1.4											
	ER2SG003IH	Adjustable	15.7	2.6	Preset	4.5	0.8	7.7 x 1	2.7	82 to 153	154 to 305	1500	2.5	90	3.2					
500kg	ER2SG005IL	C			0.56		Adjustable									4.5	0.4	10.2 x 1		
	ER2SG005IS						Adjustable	8.5	1.4	Preset	8.2	1.4	M4/1Am /H4				1700			
1	ER2SG010IL	D	3	2.5		40/20	Adjustable	4.2	0.7	11.2 x 1										
	ER2SG010IS						Adjustable	8.2	0.7				Preset	5.3	0.9	M4/1Am /H4				
1.5	ER2SG015IS	E			1.8		Adjustable	5.3	0.4	10.2 x 1										107
	2						ER2SG020IL	Adjustable	4.3							0.7	Preset			
ER2SG020IS		Adjustable	8.2	0.7	Preset	6.6	1.1	M4/1Am /H4									107	128	3.7	
2.5	ER2SG025IS	F			3.5		Adjustable													6.6
3	ER2SG030IS	E					2.8		Preset	5.2	0.9	10.2 x 2								132
	ER2SG030IS				Adjustable	5.2			0.4	Preset	3.3									
5	ER2SG050IS	F					Adjustable	3.3	0.3	11.2 x 2								184	184	6.5
							Preset	3.3	0.3											

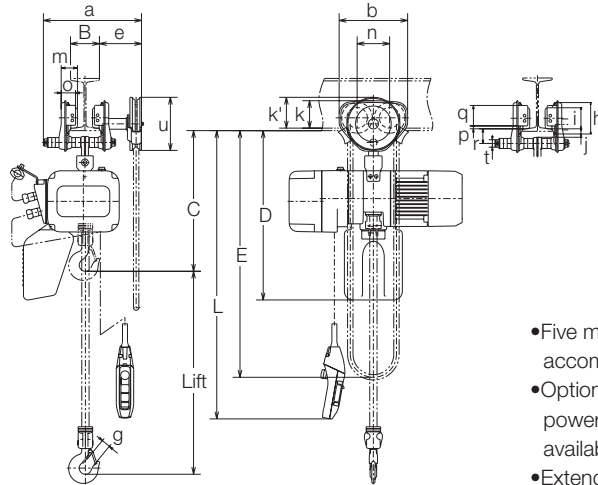
Note: The high speed is preset to the maximum speed in KITO factory. The speeds are adjustable between High and Low.

Dimensions (mm)

Capacity (t)	Product Code	Headroom C	D	a	b	e	g	h	i	j	k	k'	m	n	o	p	q	r	t	u
125kg	ER2SG001IH	415	490																	
250kg	ER2SG003IS																			
500kg	ER2SG005IL	435	550	345	236	152		106	71	28	95	107	56	112	50		69	50	25	
	ER2SG005IS																			
1	ER2SG010IL	470	590													10				183
	ER2SG010IS																			
1.5	ER2SG015IS	570																		
	2																			
ER2SG020IS		650	39																	
2.5	ER2SG025IS	680	890	398	324	157		148	100	36	134	115	80	152	74		102	68	36	
3	ER2SG030IS	780	910																	44
5	ER2SG050IS	840		401	400	156	47	169	118	46	144	131	81	178	70		104	88	54	

ER2SG Dual Speed 500V pole change

With Geared Trolley



- Five meters of power supply cable as standard accompanies.
- Optional length of lift, push button cord and power supply cable besides standard is available on your request.
- Extending the load chain is prohibited with additional links.
- Steel chain containers are available as option as shown in Section of "Chain Containers" if your lift is more than capacity of the standard container volume.

Specifications

Capacity (t)	Product Code	Hoist Body	ER2							TSG				Test Load (t)	Net Weight (kg)	Additional Weight per 1m Lift (kg)									
			Standard Lift (m)	Push Button Cord L (m)	Lifting Motor		Lifting Speed (m/min)	Load Chain	Classification ISO/FEM /ASME	Folded Hand Chain Length E (m)	Flange Width B (mm)		Min. Radius Curve (mm)												
					Output (kW)	Rating (%ED)					Diameter (mm)	Chain Falls					Standard	Option							
125kg	ER2SG001HD	B				14.2/3.5	4.3 x 1														156kg	44	1.4		
250kg	ER2SG003SD					0.5/0.13															7.2/1.8			313kg	
500kg	ER2SG005LD	C				3.6/0.9	6 x 1	M5/2m /H4		58 to 127	128 to 203	204 to 305	1300								625kg	52	1.7		
	ER2SG005SD					0.9/0.23															7.1/1.8	56			
1	ER2SG010LD	D	3	2.5		3.5/0.9	7.7 x 1		2.7												1.25	68	2.3		
	ER2SG010SD					7.2/1.7															70				
1.5	ER2SG015SD	E				1.8/0.45	40/20	4.8/1.2														1.88	91		
2	ER2SG020LD	E				3.7/0.9	10.2 x 1			82 to 153		154 to 305	1500								2.5	93	3.2		
	ER2SG020SD					6.9/1.6															115				
2.5	ER2SG025SD	F				3.5/0.88		5.5/1.3	11.2 x 1	M4/1Am /H4												1700	3.13	136	3.7
3	ER2SG030SD	E						4.4/1.0	10.2 x 2														3.75	140	5.6
5	ER2SG050SD	F						2.8/0.6	11.2 x 2		3.2	100 to 178		179 to 305	2300							6.25	190	6.5	

Dimensions (mm)

Capacity (t)	Product Code	Headroom C	D	a	b	e	g	h	i	j	k	k'	m	n	o	p	q	r	t	u	
125kg	ER2SG001HD	415	490				27	106	71	28	95	107	56	112	50		69	50	25		
250kg	ER2SG003SD																				
500kg	ER2SG005LD	435	550	345	236	152		106	71	28	95	107	56	112	50		69	50	25		
	ER2SG005SD																				
1	ER2SG010LD	470	590				31	106	71	28	95	107	56	112	50	10		69	50	25	
	ER2SG010SD																				
1.5	ER2SG015SD	570					34														183
2	ER2SG020LD	635	690	385	280	154		127	85	34	112	109	71	131	63		83	62	32		
	ER2SG020SD	650					39														
2.5	ER2SG025SD	680	890					148	100	36	134	115	80	152	74		102	68	36		
3	ER2SG030SD	780	910	398	324	157	44														
5	ER2SG050SD	840		401	400	156	47	169	118	46	144	131	81	178	70		104	88	54		